



HIKER ENTERPRISES LTD.

3375 14TH AVE. UNIT 3, MARKHAM, ONTARIO CANADA L3R 0H2
 TEL: 905-479-5390 FAX: 905-479-0530
 EMAIL: info@hikereyelets.com
 Web Site: www.hikereyelets.com

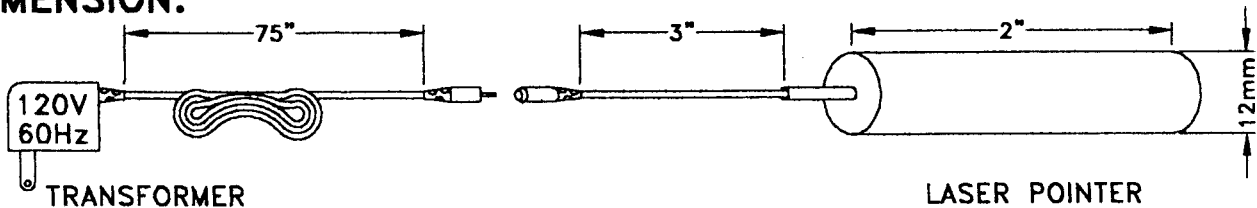
INDUSTRIAL LASER POINTER

Your best choice for point / cross positioning of opposite sides, fixed points / cross.

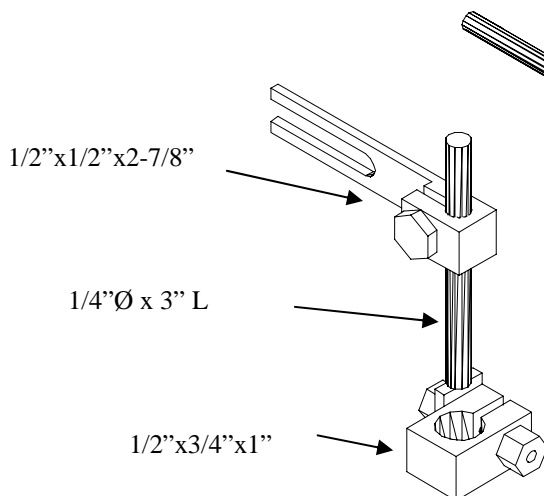
SPECIFICATION:

| | | |
|-------------------|-----------------|-----------------------|
| MODEL: | KML-1501P-50 | KML-1501C-50 |
| POINTER TYPE: | Point | Cross Hair |
| POINTER SIZE: | Ø <1.5 mm | 0.5~1mm W x 3~4.5mm L |
| PROJECT DISTANCE: | < 1 m | 20~30 cm |
| OUTPUT POWER: | 0.075 mW | < 1 mW |
| DIMENSION: | 12mm Ø x 50mm L | 12mm Ø x 53 mm L |

DIMENSION:



Bracket Type A



Bracket Type B

